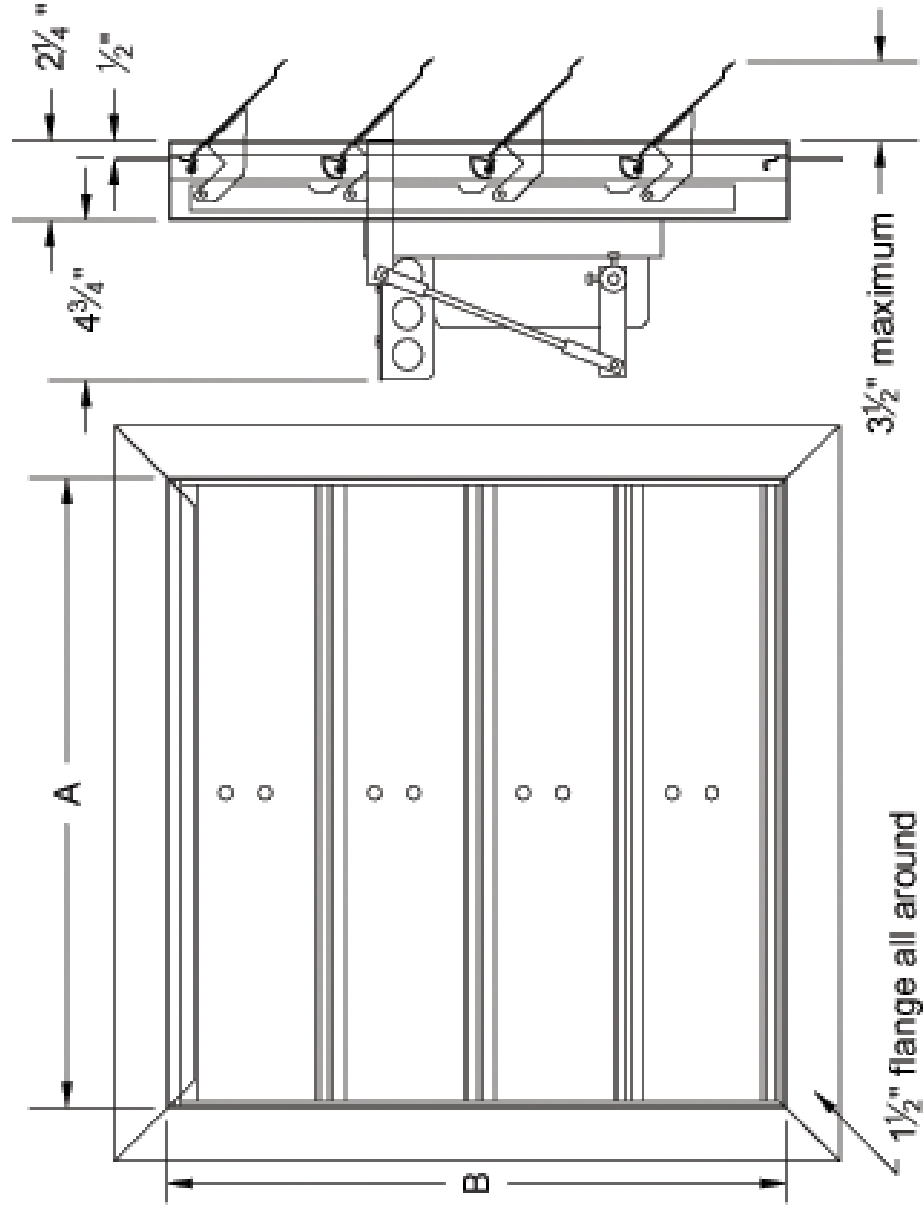


# MODEL - 3100M

Aluminum motorized backdraft damper with  $1\frac{1}{2}$ " flange set  $\frac{1}{2}$ " in from the damper face



## Standard Features

- .051" Extruded aluminum frame
- .051" Extruded aluminum blade
- Galvanized linkage
- Blade edge seals
- Standard backdraft damper motor mounted in the airstream
- $1\frac{1}{2}$ " flange set  $\frac{1}{2}$ " in from face of the frame

## Options

- Motor voltage 24v, 120v or 230v - single phase 60 cycle
- Dimensions

## Accessories

- Bird screen
- Insect screen
- End switch