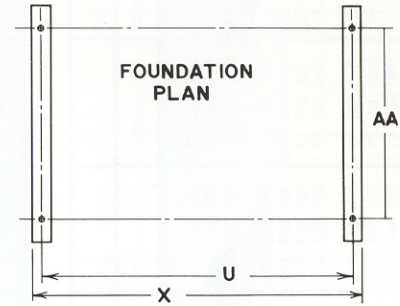
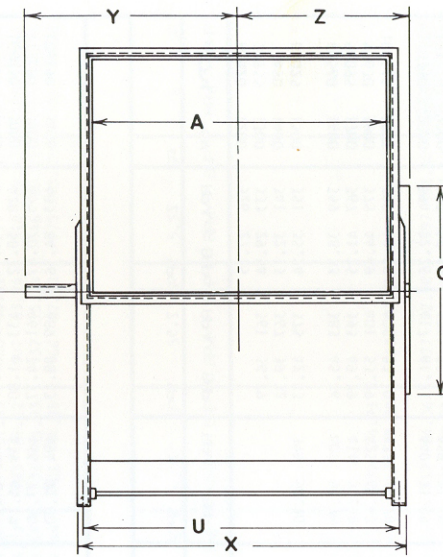
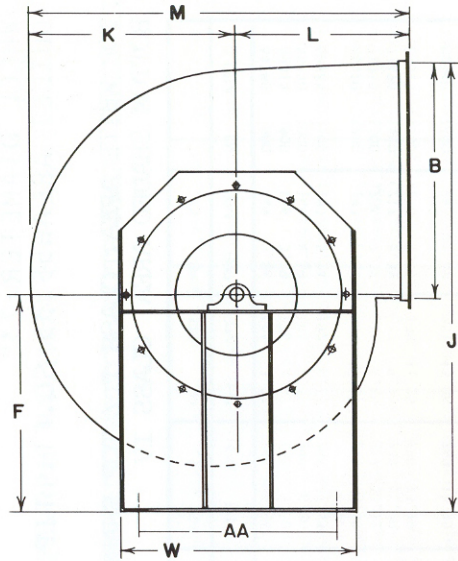
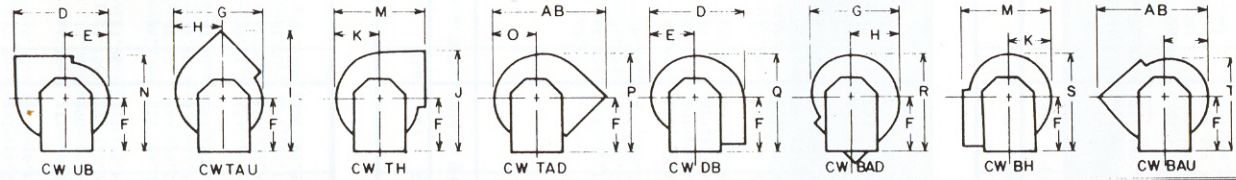


GENERAL DIMENSIONAL DATA FOR ARRANGEMENT NO. 3 CLASS I AND II, DWDI



**General Air
Products & Systems**

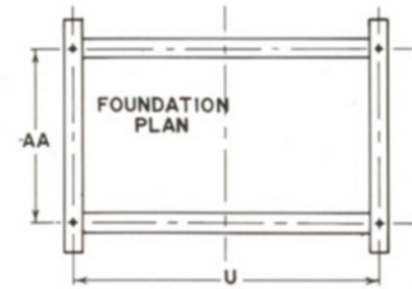
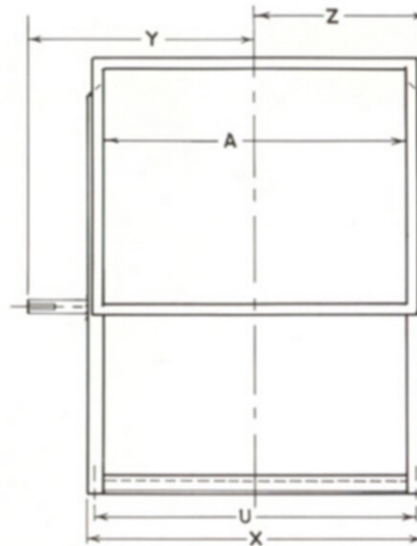
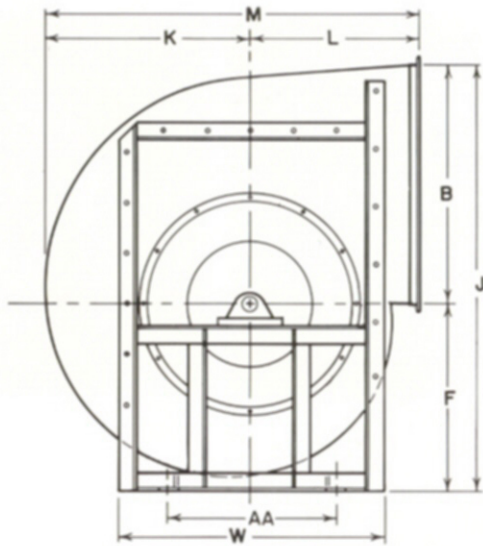


UNIT SIZE	C.F.M.	S.P.	B.H.P.	RPM	O.V.	MOTOR H.P.	CURRENT	MOTOR V.	MOTOR Φ	TAG UNIT	ACCESSORIES	JOB
												LOCATION
												CONTRACTOR
												ENGINEER/ARCHITECT

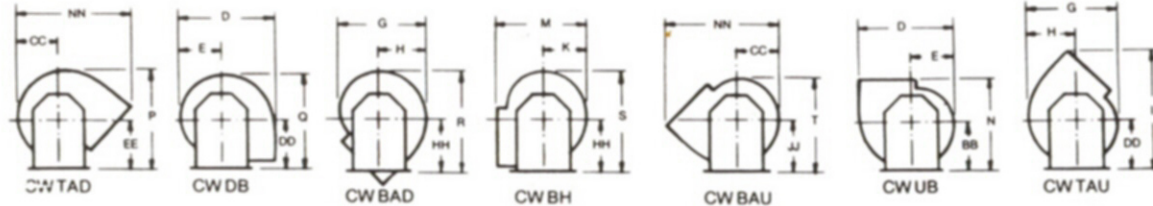
SIZE	A	B	C	D	E	F	G	H	I	J	K	L	M	N	O	P	Q	S	T	U	W	X	Y	Z	AA	AB	SHAFT DIA.	
																									CLASS I	CLASS II		
122	17 1/2	13 3/8	12 7/8	22 1/4	9 3/8	14 1/2	20 5/8	11 7/8	30 5/8	27 5/8	10 7/8	9 1/2	20 3/8	24	10 3/8	26 1/2	25 5/8	23 7/8	23 1/4	19	16 1/4	20 1/2	14 1/2	10 3/4	13 1/4	26 1/4	1 3/16	1 7/16
135	19 1/2	14 1/2	14 1/8	25	10 1/2	16 1/2	22 5/8	13	33 7/8	31	12 1/4	10 3/8	22 5/8	26 7/8	11 3/8	29 5/8	28 3/4	27	26 1/4	21	17 5/8	22 1/2	15 1/2	11 3/4	14 5/8	28 3/4	1 3/16	1 11/16
150	21 1/2	16 1/8	15 3/4	27 1/2	11 3/8	18 1/2	25 1/4	14 1/2	37 7/8	34 5/8	13 1/2	11 5/8	25 1/8	30 1/8	12 5/8	33 1/8	32 1/8	30 1/8	29 1/4	23	18 1/2	24 1/2	17 5/8	13	15 1/2	32 1/8	1 7/16	1 11/16
165	23 5/8	17 5/8	17 3/8	30 1/4	12 5/8	20 1/2	27 3/4	16	41 3/4	38 1/8	14 7/8	12 3/4	27 5/8	33 1/4	13 7/8	36 5/8	35 1/2	33 1/8	32 3/8	25 1/8	20 1/4	26 5/8	18 1/2	14	17 1/4	35 1/4	1 7/16	1 15/16
180	26	19 3/8	19	33 1/8	14	22 1/2	30 1/2	17 1/2	45 7/8	41 7/8	16 3/8	14	30 3/8	36 1/2	15 1/4	40 1/8	38 7/8	36 1/2	35 1/2	27 1/2	22 3/8	29	20 1/4	16	19 3/8	38 1/4	1 11/16	1 15/16
200	28 1/2	21 3/8	21	36 5/8	15 1/4	24 3/4	33 5/8	19 5/8	50 1/2	46 1/8	18 1/8	15 1/2	33 1/4	40 1/4	16 7/8	44 1/4	42 7/8	40	39 1/8	29 1/2	25	31 1/2	21 1/2	17	21 1/2	42 3/4	1 11/16	2 3/16
220	31 3/4	23 5/8	23 1/4	40 1/2	16 7/8	28 1/4	37 1/8	21 3/8	56 3/4	51 7/8	20	17 1/8	37 1/8	45 3/8	18 5/8	49 7/8	48 1/4	45 1/8	44 1/8	33 3/4	27 1/2	35 3/4	23 3/4	18 7/8	23 1/2	47 1/4	1 15/16	2 7/16
240	34 7/8	26 1/8	25 5/8	44 5/8	18 1/2	28 1/4	41	23 1/2	59 5/8	54 3/8	22	18 7/8	40 7/8	47 1/8	20 1/2	52	50 1/4	46 3/4	45 3/4	36 7/8	29 1/2	38 7/8	26 7/8	20 1/2	25 1/2	52 1/8	2 3/16	2 7/16
270	38 3/8	28 7/8	28 3/8	49 3/8	20 1/2	32	45 3/8	26 1/8	66 7/8	60 7/8	24 3/8	20 7/8	45 1/4	52 7/8	22 3/4	58 3/8	56 3/8	52 1/2	49 5/8	40 3/8	32 1/4	42 3/8	28 3/4	22 1/8	26 3/4	57 3/4	2 3/16	2 11/16

We reserve the right to make dimensional changes without notice. Certified dimensions furnished upon request.

GENERAL DIMENSIONAL DATA FOR ARRANGEMENT NO. 3 CLASS I AND II, DWDI



General Air
Products & Systems



UNIT SIZE	C.F.M.	S.P.	B.H.P.	RPM	O.V.	MOTOR H.P.	CURRENT	MOTOR V.	MOTOR Ø	TAG UNIT	ACCESSORIES	JOB
												LOCATION
												CONTRACTOR
												ENGINEER/ARCHITECT

SIZE	A	B	C	D	E	F	G	H	I	J	K	L	M	N	O	P	Q	S	T	U	W	X	Y	Z	AA	BB	DD	EE	HH	JJ	SHAFT DIA.	
																	CLASS I	CLASS II														
300	42 3/4	32 1/8	31 1/2	55 3/8	23 1/4	24	50 3/8	29	67 1/8	57 3/8	27 1/8	23 1/8	50 1/4	53	25 1/4	53 1/2	54	57	50 3/4	45 1/4	35 1/2	47 3/4	32 3/4	24 1/8	28	29 7/8	23 3/8	26 1/8	34 3/8	29 3/4	2 7/16	2 7/16
330	46 3/4	35 3/8	34 3/8	60 3/8	25 1/2	27 1/2	55 1/2	31 1/8	70 1/8	62 1/8	29 3/8	25 1/2	55 3/8	56 3/8	27 3/4	59 3/4	57 3/8	62 1/2	55 3/4	49 1/4	44 3/4	51 3/4	34 3/4	27	34	31 3/8	26 1/4	27 3/4	37 3/8	32 1/2	2 7/16	2 7/16
360	51 1/8	38 3/8	38 1/4	67	28 1/8	29 1/2	61 1/8	35 1/8	76 3/8	68 3/8	32 3/8	28 3/8	61	62 1/2	30 3/8	65	62 3/8	68 3/4	61 3/8	54 3/8	48	56 3/8	36 3/8	29 1/2	36	34 3/8	29	30 1/2	41 3/8	35 3/4	2 7/16	2 7/16
400	57 1/4	42 3/4	42	73 3/8	30 3/8	33	67 1/4	38 3/8	84 3/8	75 3/4	36 3/8	30 3/8	67	68 1/2	33 3/8	72	68 3/8	75 1/4	68	60 1/4	52 1/2	63 1/4	39 1/4	32	40	37 3/8	31 3/4	32 1/2	45 3/4	29 3/4	2 7/16	2 7/16
440	63 1/4	47 3/8	46 3/4	82	34 3/8	35 1/2	74 3/4	43	92 1/8	83 3/8	40 3/4	34 3/8	74 3/8	76 1/8	37 3/8	78 3/8	75 3/8	83 3/4	74 3/4	66 1/4	56 1/2	69 1/4	42 1/4	35	44	41 3/4	35 1/4	36 1/4	50 3/8	43 3/4	2 1/16	2 15/16
490	69 1/2	52 1/8	51 3/8	90	37 3/8	39 3/8	82 3/8	47 3/8	102 1/4	91 1/2	44 1/4	37 3/8	82 1/8	83 3/8	41 1/4	86 3/4	83 1/4	91 3/8	82 1/4	72 1/2	61 1/2	75 1/2	46 1/2	38 1/4	50	45 3/4	38 3/4	38 3/8	55 3/8	48	2 1/16	3 3/16
540	77	57 3/8	56 3/4	99 3/8	41 3/4	43 1/2	90 3/4	52 1/8	113 1/8	101 1/8	48 3/4	41 3/4	90 3/8	92 1/8	45 3/8	96 1/8	92 3/8	101 1/4	90 3/4	81	67	85	50 3/8	41 1/2	54	50 3/8	42 3/8	42 1/4	61 3/8	52 1/4	2 15/16	3 3/16
600	85	64 1/4	63	110 3/8	46 3/8	48	100 3/4	58	125 3/8	112 1/4	54 1/4	46 3/8	100 3/8	102	50 1/2	106 1/2	102 1/4	112 1/4	100	89	73	93	56	46	60	55 3/8	47 1/4	45 3/8	67 1/4	57 3/4	3 3/16	3 15/16
660	94	70 3/8	69 1/4	121 3/8	51	52 1/2	110 3/4	63 1/4	137 3/8	123 3/8	59 3/8	51	110 3/8	112 3/8	55 1/2	116 3/8	112 3/8	123 1/2	109 1/2	99	80	104	61	50 3/8	66	61 3/8	51 3/8	49 1/2	75 3/8	63 1/4	3 3/16	3 15/16
730	103 1/2	78 1/8	76 3/8	136 3/8	58	57	122 3/8	70 1/4	151 1/4	137 3/8	66	56 3/8	122 3/8	124 1/8	61 3/8	128 3/8	123	137 3/8	131 1/4	108 1/2	88	113 1/2	67 1/2	55 1/4	74	67 3/4	57 1/4	54 1/4	83 3/8	69 3/4	3 15/16	3 15/16