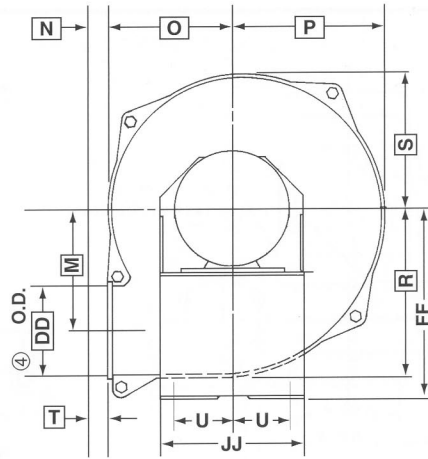
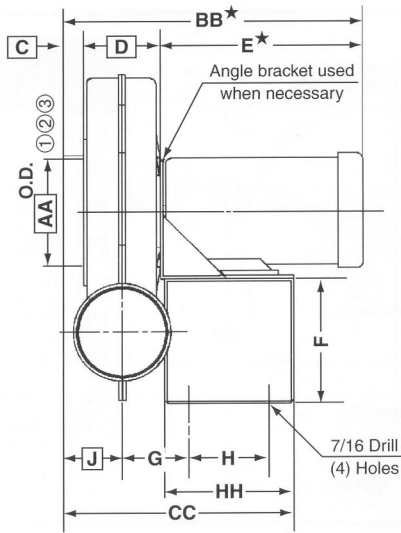


DIMENSIONS and SPECIFICATIONS

Arrangement #4, Direct Drive



★ Varies with motor.

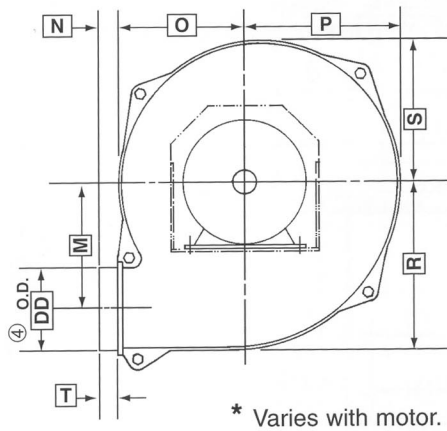
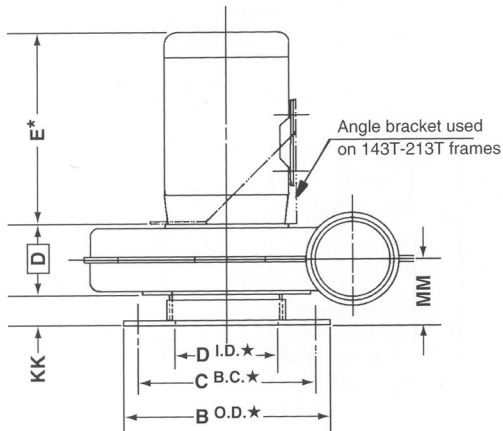
DIMENSIONS IN INCHES ± 1/8"

DIMENSIONS SUBJECT TO CHANGE WITHOUT NOTICE.

MODEL NO.	MOTOR FRAME	★ E	F	G	H	U	★ BB	CC	FF	HH	JJ	KK	MM
CA-8	56	12 1/2	5	3 3/16	5	2 3/4	17 1/4	12 1/8	8 9/16	7 1/8	7	1 5/16	3 3/16
CA-9	56	12 1/2	6 7/8	3 3/8	5 3/4	2 3/4	17 11/16	13 5/16	10 7/16	7 7/8	7	1 3/8	3 7/16
	143T-145T	12	8 1/4	4 3/16	5	3 3/4	17 3/16	13 13/16	11 7/8	8	9		
CA-10A	56	12 1/2	6 7/8	3 7/16	5 3/4	2 3/4	18	13 11/16	10 7/16	7 7/8	7	1 9/16	3 11/16
	143T-145T	12	8 1/4	4 1/4	5	3 3/4	17 1/2	14 3/16	11 7/8	8	9		
CA-12A	56	12 1/2	8 1/4	4 1/4	5	3 3/4	18 3/4	14 1/2	11 7/8	8	9	1 9/16	4 1/16
	143T-145T	12	8 1/4	4 5/8	5	3 3/4	18 1/4	14 7/8		8	9		
	182T-184T	15 1/2	6 7/16	5	8 3/4	4 15/16	21 3/4	19		11 3/4	12		
CA-14A	56	12 1/2	9 15/16	5 1/2	8 3/4	4 15/16	19 3/4	20	15 3/16	11 3/4	12	1 9/16	4 9/16
	143T-145T	12					19 1/4						
	182T-184T	15 1/2					22 3/4						
CA-15A	182T-184T	15 1/2	9 15/16	6 1/8	8 3/4	4 15/16	24	21 1/4	15 3/16	11 3/4	12	1 9/16	5 3/16
	213T-215T	16					24 1/2						
	254T-256T	19					27 1/2						
CA-18	182T-184T	15 1/2	9 15/16	5 5/8	8 3/4	4 15/16	23	20 1/4	15 3/16	11 3/4	12	1 9/16	4 11/16
	213T-215T	16					23 1/2						
	254T-256T	19					26 1/2						
CA-18WA	182T-184T	15 1/2	12 3/4	6 1/2	10 3/4	6 1/4	24 13/16	24 1/16	18	13 3/4	16 1/2	1 9/16	5 5/8
	213T-215T	16					25 5/16						
	254T-256T	19					28 5/16						
	284T-286T	22					31 5/16						

DIMENSIONS and SPECIFICATIONS

Arrangement #4 HM, (Horizontal Mount) Direct Drive

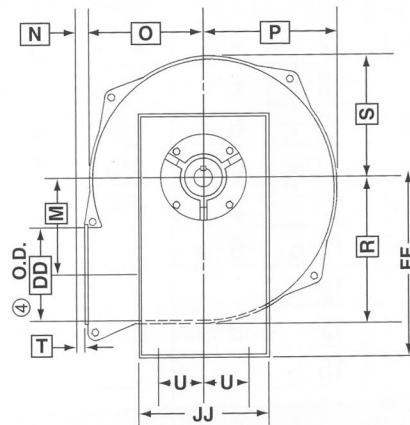
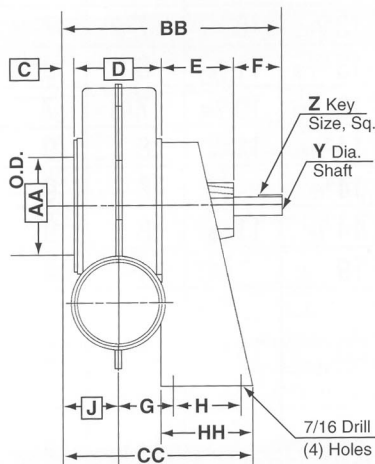


MAX. MOTOR FRAME SIZE	
MODEL	FRAME
CA-8	56
CA-9	145T
CA-10A	145T
CA-12A	184T
CA-14A	184T
CA-15A	215T ^⑥
CA-18	215T ^⑥
CA-18WA	215T ^⑥

⑥ Max. frame is one size smaller than shown on EXP and Mill & Chem motors



Arrangement #2, Belt Drive



DIMENSIONS IN INCHES ± 1/8"

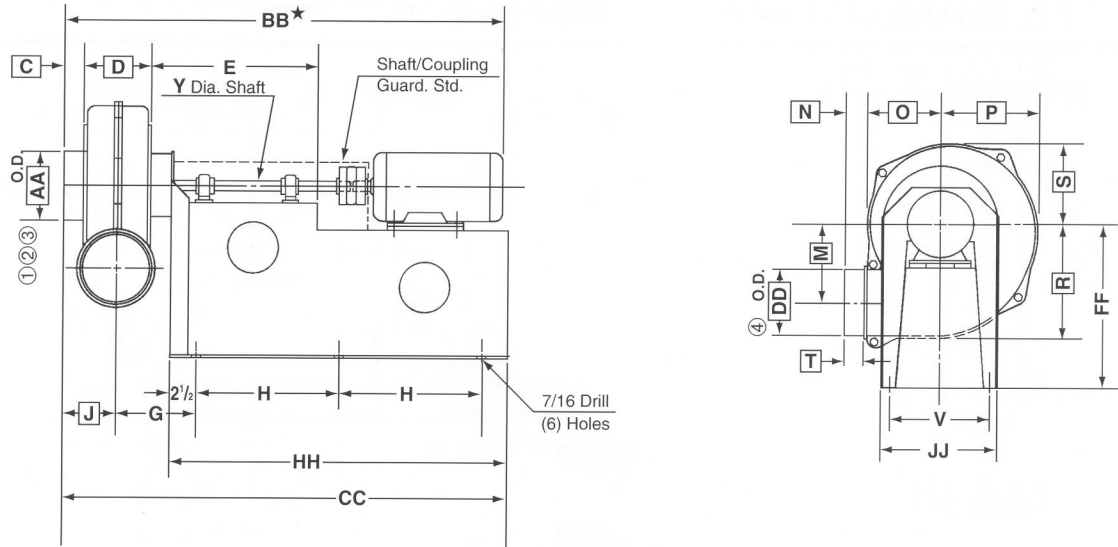
DIMENSIONS SUBJECT TO CHANGE WITHOUT NOTICE.

MODEL NO.	E	F	G	H	U	Y	Z	BB	CC	FF	HH	JJ
CA-8	3 1/2	3	2 7/8	3 1/4	2 7/8	5/8	3/16	11 1/4	9 3/4	7 13/16	5	7 3/4
CA-9	3 11/16	3	3 1/16	4 1/4	2 7/8	3/4	3/16	11 7/8	11 3/16	9 7/8	6	7 3/4
CA-10A	3 11/16	3	3 1/8	4 1/4	2 7/8	3/4	3/16	12 1/4	11 9/16	9 7/8	6	7 3/4
CA-12A	5 1/2	4	4	4 1/2	3 1/8	1	1/4	15 3/4	13 1/4	11 1/2	7	9
CA-14A	5 3/16	4	4 1/2	5 1/2	3 3/4	17/16	3/8	16 7/16	15 1/4	15	8	10 1/4
CA-15A	5 3/16	4	5 1/8	5 1/2	3 3/4	17/16	3/8	17 11/16	16 1/2	15	8	10 1/4
CA-18	5 3/16	4	4 5/8	5 1/2	3 3/4	17/16	3/8	16 11/16	15 1/2	15	8	10 1/4

④ ALL MODELS, DISCHARGE FLANGE NOT AVAILABLE FOR DOWN BLAST POSITION.

DIMENSIONS and SPECIFICATIONS

Arrangement #8, Direct Connected



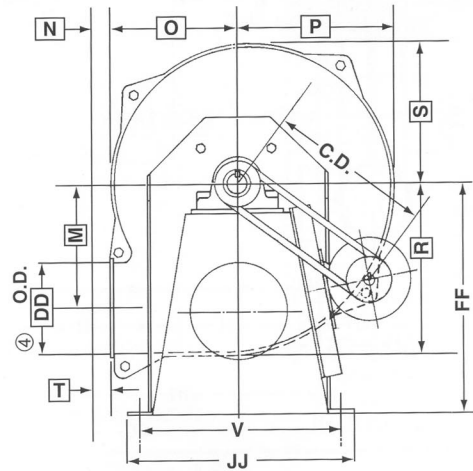
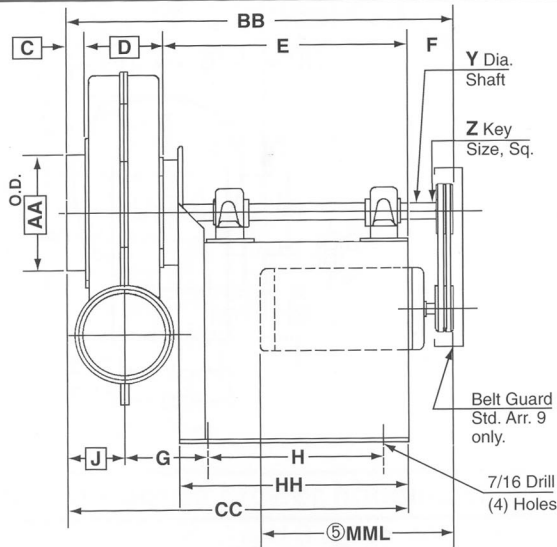
DIMENSIONS IN INCHES $\pm 1/8"$

DIMENSIONS SUBJECT TO CHANGE WITHOUT NOTICE.

MODEL NO.	MOTOR FRAME	E	G	H	V	Y	★ BB	CC	FF	HH	JJ
CA-8	56	12	5 ⁵ / ₈	12 ¹ / ₄	11 ³ / ₈	³ / ₄	35 ³ / ₁₆	35 ¹ / ₂	14	29 ¹ / ₂	12 ⁷ / ₈
CA-9	56-145T	12	5 ¹³ / ₁₆	12 ¹ / ₄	11 ³ / ₈	³ / ₄	35 ¹¹ / ₁₆	35 ¹⁵ / ₁₆	14	29 ¹ / ₂	12 ⁷ / ₈
CA-10A	56-145T	12	5 ⁷ / ₈	12 ¹ / ₄	11 ³ / ₈	³ / ₄	36 ¹ / ₁₆	36 ⁵ / ₁₆	14	29 ¹ / ₂	12 ⁷ / ₈
CA-12A	56-145T	12	6 ¹ / ₄	12 ¹ / ₄	11 ³ / ₈	1	36 ³ / ₄	37	14	29 ¹ / ₂	12 ⁷ / ₈
	182T-215T	13		15 ¹ / ₈	16		42 ⁹ / ₁₆	42 ³ / ₄	18	35 ¹ / ₄	17 ¹ / ₂
CA-14A	56-145T	12	6 ³ / ₄	12 ¹ / ₄	11 ³ / ₈	1 ³ / ₁₆	37 ³ / ₄	38	14	29 ¹ / ₂	12 ⁷ / ₈
	182T-215T	13		15 ¹ / ₈	16		43 ⁹ / ₁₆	43 ³ / ₄	18	35 ¹ / ₄	17 ¹ / ₂
CA-15A	182T-215T	13	7 ³ / ₈	15 ¹ / ₈	16	1 ³ / ₁₆	44 ⁷ / ₁₆	45	18	35 ¹ / ₄	17 ¹ / ₂
	254T-256T			18 ³ / ₄	17 ¹ / ₄		48 ⁵ / ₈	52 ¹ / ₄	23	42 ¹ / ₂	19
CA-18	182T-215T	13	6 ⁷ / ₈	15 ¹ / ₈	16	1 ³ / ₁₆	43 ¹³ / ₁₆	44	18	35 ¹ / ₄	17 ¹ / ₂
	254T-256T			18 ³ / ₄	17 ¹ / ₄	1 ⁷ / ₁₆	48	51 ¹ / ₄	23	42 ¹ / ₂	19
CA-18WA	182T-215T	13	7 ³ / ₄	15 ¹ / ₈	16	1 ⁷ / ₁₆	45 ⁵ / ₈	45 ¹³ / ₁₆	18	35 ¹ / ₄	17 ¹ / ₂
	254T-286T			18 ³ / ₄	17 ¹ / ₄		52 ¹⁵ / ₁₆	53 ¹ / ₁₆	23	42 ¹ / ₂	19

DIMENSIONS and SPECIFICATIONS

Arrangement #1 and #9, Belt Drive



Unit shown is arrangement 9-R (motor on right side).
For motor on left side, specify arrangement 9-L.

DIMENSIONS IN INCHES ± 1/8"

DIMENSIONS SUBJECT TO CHANGE WITHOUT NOTICE.

MODEL NO.	MOTOR FRAME	E	F	G	H	V	Y	Z	BB	CC	FF	HH	JJ	Ⓜ MML
CA-8	56-145T	16 1/4	3	5 3/8	10	11 3/8	3/4	3/16	24	21	14	15	12 7/8	15
CA-9	56-145T	16 1/4	3	5 13/16	10	11 3/8	3/4	3/16	24 7/16	21 7/16	14	15	12 7/8	15
CA-10A	56-145T	16 1/4	3	5 7/8	10	11 3/8	3/4	3/16	24 13/16	21 13/16	14	15	12 7/8	15
CA-12A ★	56-145T★	16 1/4	4	6 1/4	10	11 3/8	1	1/4	26 1/2	22 1/2	14	15	12 7/8	15
	182T-215T	19 1/4			13	16			29 1/2	25 1/2	18	18	17 1/2	19
CA-14A	56-215T	19 1/4	4	6 3/4	13	16	1 7/16	3/8	30 1/2	26 1/2	18	18	17 1/2	19
CA-15A ★	182T-215T★	19 1/4	4	7 3/8	13	16	1 7/16	3/8	31 3/4	27 3/4	18	18	17 1/2	19
	254T-256T	25 3/4			19 1/2	17 1/4	1 11/16	3/8	38 1/4	34 1/4	23	24 1/2	19	26
CA-18 ★	182T-215T★	19 1/4	4	6 7/8	13	16	1 7/16	3/8	30 3/4	26 3/4	18	18	17 1/2	19
	254T-256T	25 3/4			19 1/2	17 1/4	1 11/16		3/8	37 1/4	33 1/4	23	24 1/2	19
CA-18WA ★	182T-215T★	19 1/4	4	7 3/4	13	16	1 7/16	3/8	32 9/16	28 9/16	18	18	17 1/2	19
	254T-286T	25 3/4			6	19 1/2	17 1/4		1 11/16	3/8	41 1/16	35 1/16	23	24 1/2

C.D. BELT CENTER DISTANCE

(Dimensions in Inches)

MODEL NO.	MOTOR FRAME SIZE									
	56-145T		182T-184T		213T-215T		254T-256T		284T-286T	
	MIN.	MAX.	MIN.	MAX.	MIN.	MAX.	MIN.	MAX.	MIN.	MAX.
CA-8	10 1/4	11 1/4								
CA-9	10 1/4	11 1/4								
CA-10A	10 1/4	11 1/4								
CA-12A	10 1/4	11 1/4	13 5/8	14 5/8	14 3/8	15 1/2				
CA-14A	12	13	13 5/8	14 5/8	14 3/8	15 1/2				
CA-15A			13 5/8	14 5/8	14 3/8	15 1/2	17	18 5/8		
CA-18			13 5/8	14 5/8	14 3/8	15 1/2	17	18 5/8		
CA-18WA			13 5/8	14 5/8	14 3/8	15 1/2	17	18 5/8	17 3/8	19 1/4