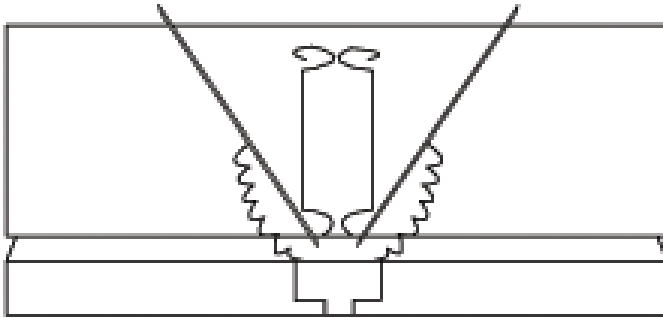


Model CD-RD-85 / CD-RD-A-85: Ceiling Damper

Models:

CD-RD-85: Round, butterfly-type (non-asbestos).

CD-RD-A-85: Same as above with adjustable volume control.



CD-RD-A-85
With adjustable volume controller

Standard Specifications

Frame: 24 gauge galvanized steel.

Blades: 22 gauge galvanized steel.

Thermal Blanket: Non-asbestos, ceramic blanket.

Spring: Corrosion resistant steel spring.

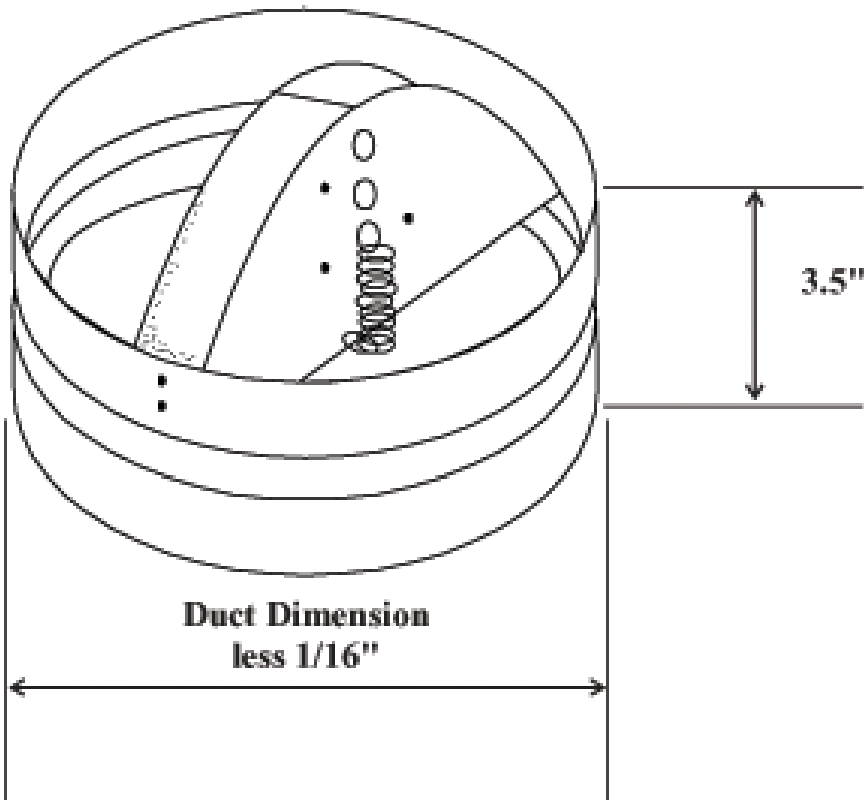
Fusible Link: Replaceable 165°F standard.

Finish: Mill.

Sizes: Minimum size: 5".

Maximum size: 15".

UL/ULC Listing: 3-4 hours.



Ordering Method
Use diameter required

Example
Model CD-RD-85 x 6"