

# D500 SERIES UTILITY BLOWER

- Designed for easy installations in common applications requiring moderate air quantities (up to 650 CFM) in low static systems (up to .75" W.G.)
- Ideal for applications where low noise levels are a "must" since the motor is out of the air stream and the blower can be remotely located.
- Available in CCW rotation only (as viewed from motor side).

FEATURES	D503	D504	D530	D506	D507
120V, 60 Hz CSA approved single speed shaded pole motor, continuous duty, suitable for use with WM-13 speed controller.	✓	✓	✓	✓	
120V, 60 Hz CSA approved 3 speed resilient mount PSC <b>BALL BEARING</b> motor.					✓
Prelubricated bearings - no further lubrication required.	✓	✓	✓	✓	✓
Built in automatic reset thermal protector.	✓	✓	✓	✓	✓
Mount in horizontal or vertical position.	✓	✓	✓	✓	
Rotate housing on base for any of 8 discharge positions, keeping shaft horizontal.					✓
Conduit wiring box.	✓	✓	✓	✓	✓
Inlet screen standard.	✓				
Duct collar inlet.			✓	✓	✓
Flanged outlet.	✓	✓			
Quiet operating forwardly curved zinc coated blower wheel.	✓	✓	✓	✓	✓
Base slotted for 4 rubber blower feet.			✓	✓	✓
Rugged steel blower housings with baked green enamel finish.	✓	✓	✓	✓	✓
Motor side access plate for motor and wheel servicing removal	✓	✓	✓	✓	

## DIMENSIONS (inches)

MODEL	D503	D504	D530	D506	D507
FIGURE	1	1	2	2	3
RPM	3000	1300	1550	1520	1050
HP	1/100	1/90	1/30	1/12	1/8
AMPS	0.9	0.65	1.3	3.0	2.2
WATTS	8	8.5	25	62	93
A	6-1/8	8-3/8	9-3/4	10-5/8	13-1/8
B	5-1/4	7-1/8	9-1/8	9-3/4	12-1/4
C	--	--	1-1/2	1-1/2	3/4
D	1-7/8	2-3/4	3-7/8	3-3/4	8-1/4
E	2-3/4	3-3/4	4	5-1/4	6
F	5-1/4	6	8-1/4	11-1/8	14
G	3-3/4	5	5-1/2	6	7-1/2
H	3-3/8	4-3/4	4-7/8	6-1/8	5
J	2-1/2	3-3/8	4-1/4	4-1/2	6
L	2-7/8	3-3/4	5	5	8
M	3-1/2	4-1/4	6	6	9
N	4	5-1/4	5-7/8	7-1/8	6-5/8
O	--	--	4-7/8	5-7/8	7-7/8
P	--	--	1-1/8	1-1/8	1-1/2
R	--	--	--	--	1-1/2
WT.(LBS.)	4	5	9	14	26

## MOTOR SPEED CONTROL

### MODELS D503, D504, D530, D506

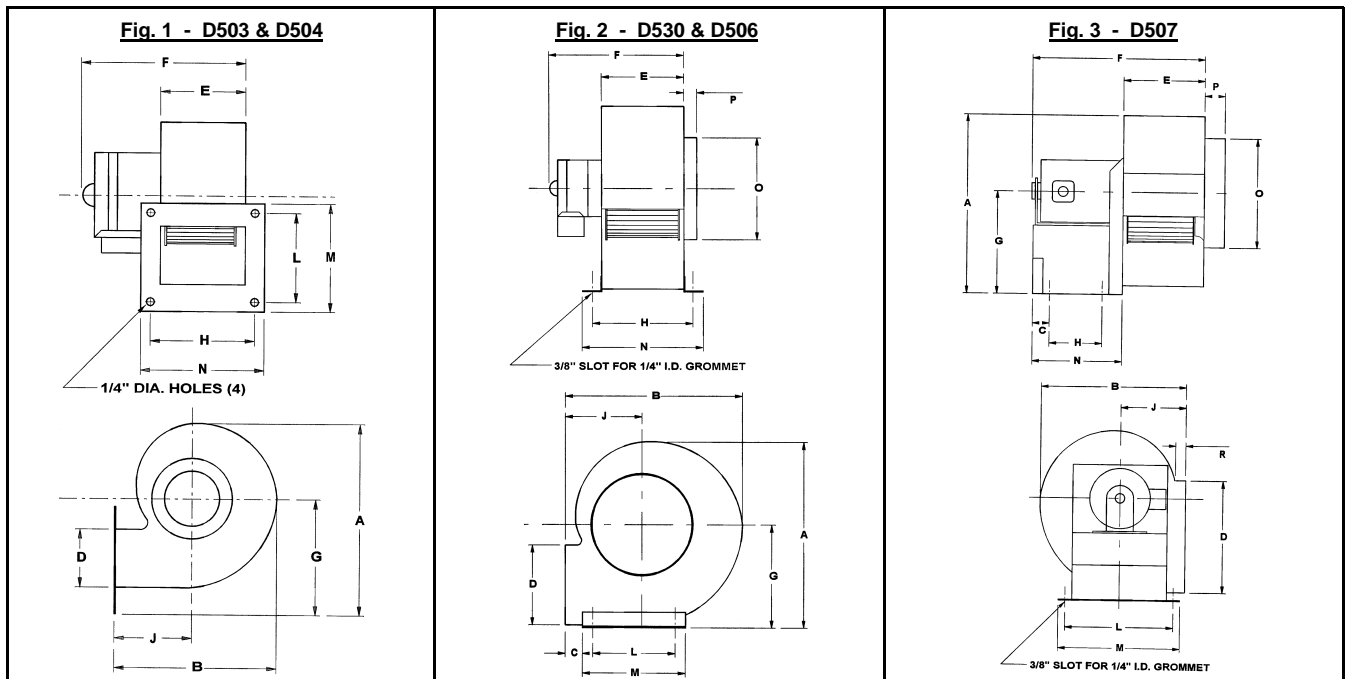
Use a # WM-13M solid state control to lower the motor speed and reduce the air flow up to the % of full capacity listed below.

D503 - 30%  
D504 - 45%

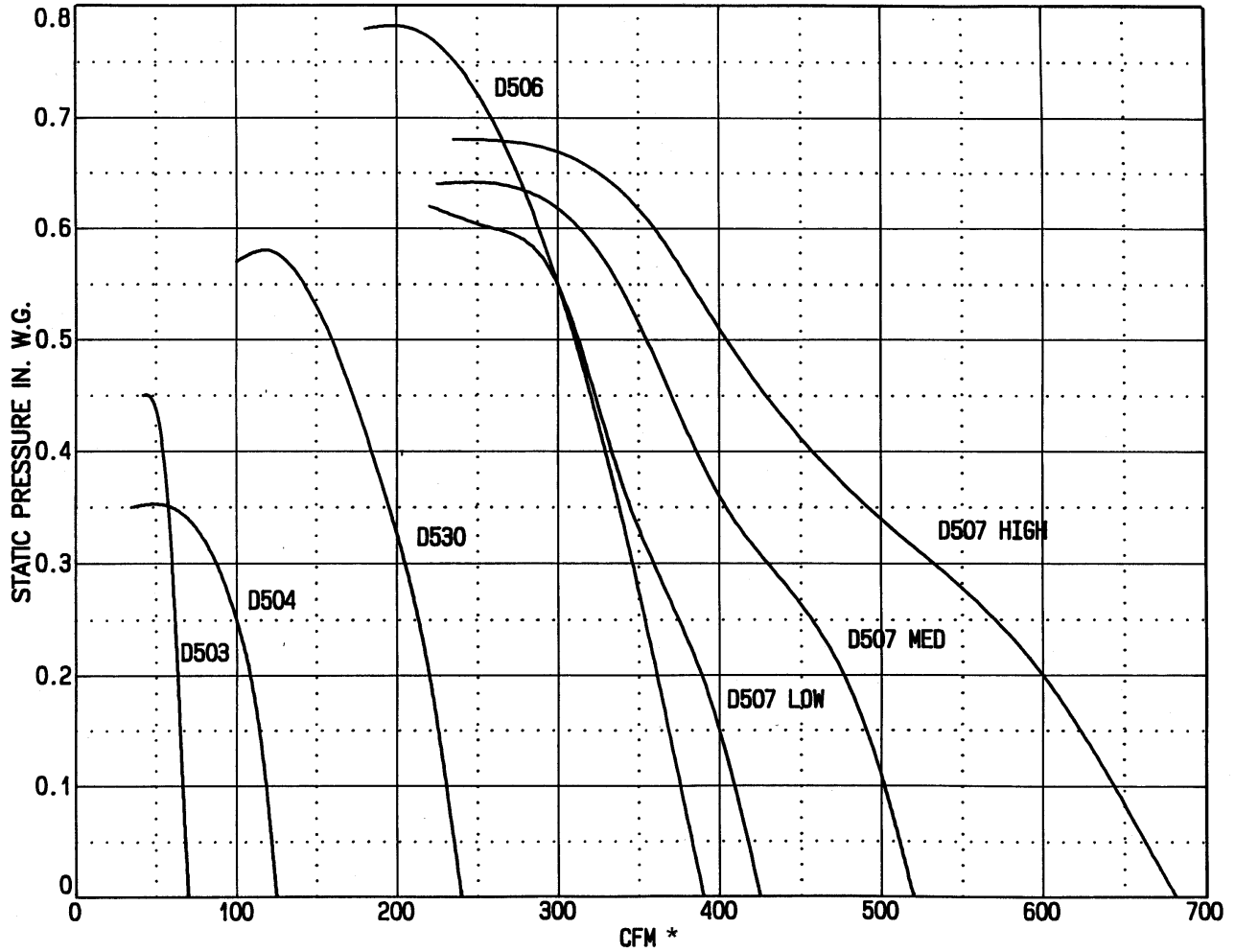
D530 - 45%  
D506 - 55%

### MODELS D507

Use a 3 speed switch to select Hi (1050 RPM), Med (850 RPM) or Low (740 RPM) operation.



# D500 SERIES PERFORMANCE DATA



MODEL	1/8" SP	1/4" SP	3/8" SP	1/2" SP	5/8" SP	3/4" SP
	CFM *					
D503	65	60	60	--	--	--
D504	120	100	--	--	--	--
D530	230	210	190	160	--	--
D506	375	355	335	315	280	240
D507 - Lo	410	375	340	315	225	--
D507 - Med	495	460	390	355	300	--
D507 - Hi	640	570	470	405	350	--

\* CFM AT RATED RPM