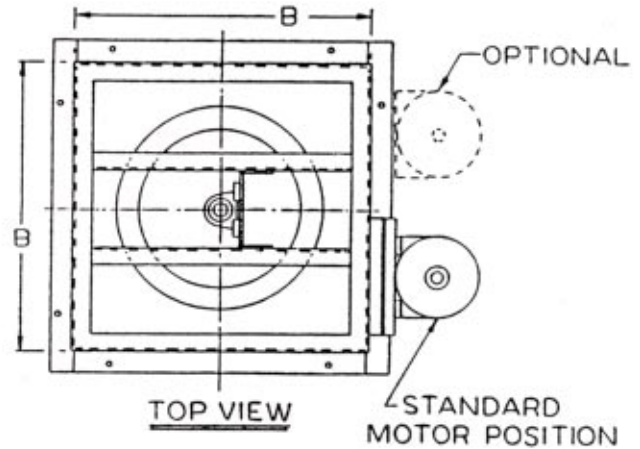
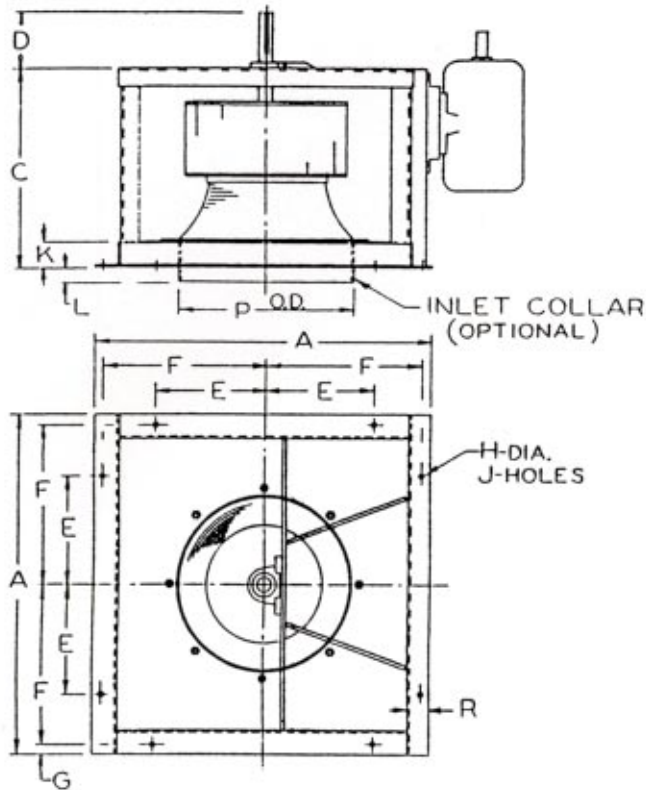


Plenum Fans

Size	Whl. Dia.	CL I		CL II		M																
		Shaft Dia.	Keyway	Shaft Dia.	Keyway	A	B	C	D	E	F	G	H	J	K	L	CL I	CL II	N*	P*	T	S
PL150	15	1	1/4 x 1/8 x 3-1/2	1-3/16	1/4 x 1/8 x 3-1/2	23	11-1/2	11-1/2	14-3/4	13-1/4	18	9	6-5/8	1-1/2	14GA	5-7/8	12-1/2	12-3/4	9-3/8	16-1/8	9/16	4
PL165	16-1/2	1	1/4 x 1/8 x 3-1/2	1-3/16	1/4 x 1/8 x 4	25-1/4	12-5/8	12-5/8	16	14-1/2	20-1/4	10-1/8	7-1/4	1-1/2	14GA	6-1/2	13-1/8	13-7/8	10	17-7/8	9/16	4
PL182	18-1/4	1-3/16	1/4 x 1/8 x 3-1/2	1-7/16	3/8 x 3/16 x 4	30	15	15	18-1/4	16-1/2	24	12	8-1/4	2	1/8	7-1/8	14	14-5/8	11-1/8	19-5/8	9/16	4
PL200	20	1-3/16	1/4 x 1/8 x 3-1/2	1-7/16	3/8 x 3/16 x 4	33	16-1/2	16-1/2	19-7/8	18-1/8	27	13-1/2	9-1/16	2	1/8	7-15/16	14-7/8	15-1/2	12	21-1/2	9/16	4
PL222	22-1/4	1-3/16	1/4 x 1/8 x 3-1/2	1-7/16	3/8 x 3/16 x 4	35	17-1/2	17-1/2	21-3/8	19-5/8	29	14-1/2	9-13/16	2	1/8	8-11/16	15-5/8	16-7/8	12-3/4	23-7/8	9/16	4
PL245	24-1/2	1-7/16	3/8 x 3/16 x 3-1/2	1-7/16	3/8 x 3/16 x 5	38-3/4	19-3/8	19-3/8	23-1/4	21-1/2	32	16	10-3/4	2	1/8	9-5/8	16-5/8	18-7/8	13-5/8	26-1/4	9/16	4
PL270	27	1-7/16	3/8 x 3/16 x 6	1-7/16	3/8 x 3/16 x 6	42	21	21	25-7/16	23-1/2	36	18	11-3/4	2-3/16	3/16	10-5/8	19-7/8	20-5/8	14-7/8	29	7/8	4
PL300	30	1-11/16	3/8 x 3/16 x 6	1-11/16	3/8 x 3/16 x 6	46-3/4	23-3/8	23-3/8	27-9/16	25-5/8	40-3/4	20-3/8	12-13/16	2-3/16	3/16	11-11/16	21-1/4	22	16-3/8	32-1/4	7/8	4
PL330	33	1-11/16	3/8 x 3/16 x 6	1-11/16	3/8 x 3/16 x 6	51-1/4	25-5/8	25-5/8	30-1/16	28-1/8	45-1/4	22-5/8	14-1/16	2-3/16	3/16	12-15/16	22-1/2	23-1/4	17-5/8	35-3/8	7/8	4
PL365	36-1/2	1-15/16	1/2 x 1/4 x 6	1-15/16	1/2 x 1/4 x 6	56-3/4	28-3/8	28-3/8	32-11/16	30-3/4	50-3/4	25-3/8	15-3/8	2-3/16	3/16	14-1/4	24-1/8	24-3/4	19-1/2	39	7/8	4



* IF FURNISHED

Plenum Fan-Vertical Mounted

Size	Whl. Dia.	CL I		CL II		A	B	C	D		E	F	G	H	J	K	L*	P*	R
		Shaft Dia.	Keyway	Shaft Dia.	Keyway				CL I	CL II									
PL150	15	1	1/4 x 1/8 x 3-1/2	1-3/16	1/4 x 1/8 x 3-1/2	27-5/8	23	15-13/16	5	5-1/2	9	14-9/16	1-1/8	9/16	8	2-9/16	1	16-1/8	2-1/2
PL165	16-1/2	1	1/4 x 1/8 x 3-1/2	1-3/16	1/4 x 1/8 x 4	29-7/8	25-1/4	17-1/16	5	5-1/2	10-1/8	16-1/16	1-1/8	9/16	8	2-9/16	1	17-7/8	2-1/2
PL182	18-1/4	1-3/16	1/4 x 1/8 x 3-1/2	1-7/16	3/8 x 3/16 x 4	34-5/8	30	18-7/8	5	5-1/2	12	18-7/16	1-1/8	9/16	8	2-5/8	1-3/8	19-5/8	2-1/2
PL200	20	1-3/16	1/4 x 1/8 x 3-1/2	1-7/16	3/8 x 3/16 x 4	37-5/8	33	20-1/2	5	5-1/2	13-1/2	19-15/16	1-1/8	9/16	8	2-5/8	1-3/8	21-1/2	2-1/2
PL222	22-1/4	1-3/16	1/4 x 1/8 x 3-1/2	1-7/16	3/8 x 3/16 x 4	39-5/8	35	22	5	6	14-1/2	20-15/16	1-1/8	9/16	8	2-5/8	1-3/8	23-7/8	2-1/2
PL245	24-1/2	1-7/16	3/8 x 3/16 x 3-1/2	1-7/16	3/8 x 3/16 x 5	43-3/8	38-3/4	24-1/8	5	7	16	22-13/16	1-1/8	9/16	8	2-5/8	1-3/8	26-1/4	2-1/2
PL270	27	1-7/16	3/8 x 3/16 x 6	1-7/16	3/8 x 3/16 x 6	46-5/8	42	25-15/16	7	8	18	24-7/16	1-1/8	7/8	8	2-11/16	1-1/2	29	2-1/2
PL300	30	1-11/16	3/8 x 3/16 x 6	1-11/16	3/8 x 3/16 x 6	51-3/8	46-3/4	28-1/16	7-1/2	8	20-3/8	26-13/16	1-1/8	7/8	8	2-11/16	2	32-1/2	2-1/2
PL330	33	1-11/16	3/8 x 3/16 x 6	1-11/16	3/8 x 3/16 x 6	55-7/8	51-1/4	30-9/16	7-1/2	8	22-5/8	29-1/16	1-1/8	7/8	8	2-11/16	2	35-3/8	2-1/2
PL365	36-1/2	1-15/16	1/2 x 1/4 x 6	1-15/16	1/2 x 1/4 x 6	62-3/8	56-3/4	33-11/16	7-1/2	8	25-3/8	32-7/16	1-1/4	7/8	8	3-3/16	2	39	3