

# Roof Exhausters

# RX Series

### Specifications:

**General:** Low profile. Square base for easy mounting. Weatherproof. Top removes for easy servicing. Available in four sizes. Belt drive blower uses standard motors.

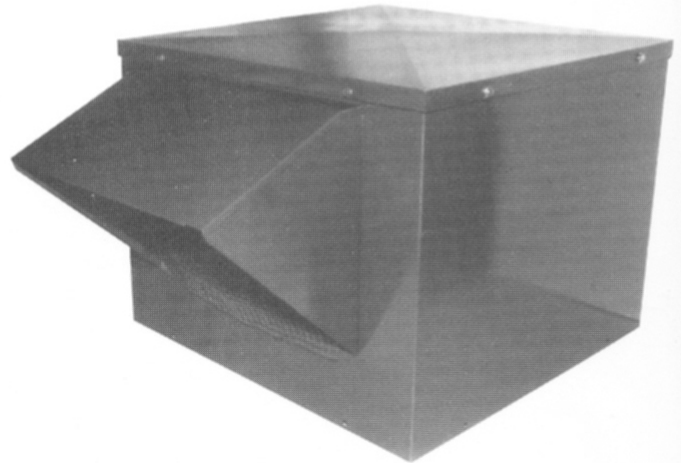
**Finish:** Grey enamel on galvanized steel.

**Mounting:** Steel reinforced frame, easy mounting to curb. Rubber isolated for quiet operation.

**Bearings:** Ball type. Operating range -  
-54C + 121C (-65F to +250F).

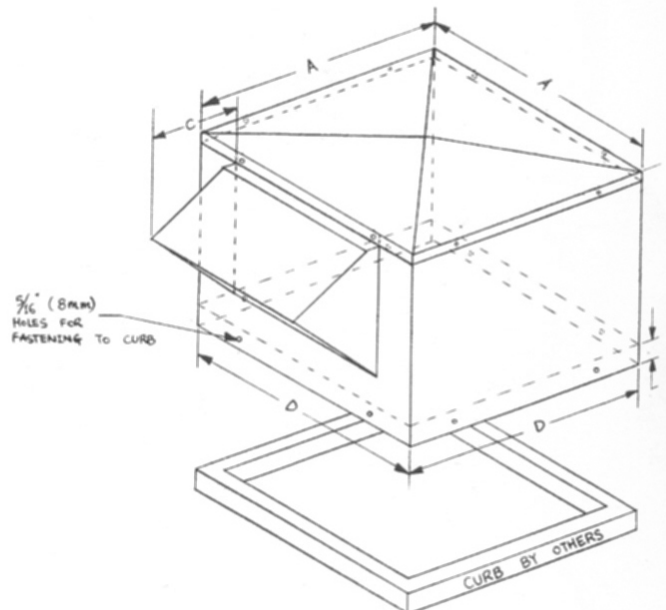
**Insulation:** 3/4" (19 mm) Fibreglass (Tough Skin).

**Outlet:** Cowl equipped with bird screen.  
(Back draft damper optional).



Model	Dimension - Inches - MM			
	A	B	C	D
RX309	24 3/8 619	19 3/8 492	10 1/2 271	24 610
RX310	28 3/8 721	21 3/8 543	11 3/8 290	28 711
RX312	32 3/8 822	24 5/8 625	13 1/8 333	32 813
RX315	36 3/8 924	28 3/8 721	14 7/8 378	36 914

(See over for performance data)



D is the inside dimension curb size must be smaller to allow for flashing.