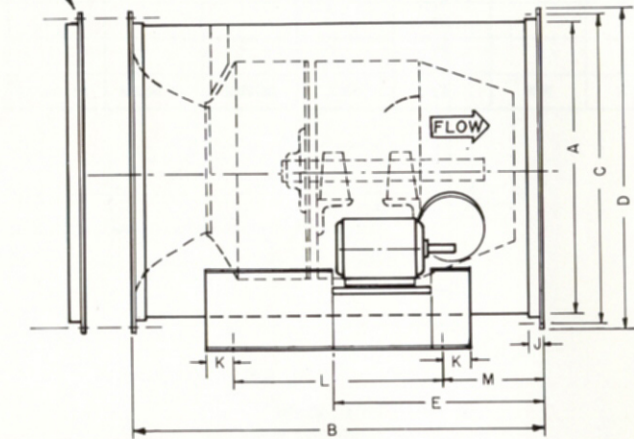


SIZE	MOTOR LOC.	MOTOR H.P.	CURRENT	C.F.M.	S.P.	RPM	B.H.P.	O.V.	T.S.	UNIT	JOB							
											LOCATION							
											CONTRACTOR							
											ENGINEER/ARCHITECT							
											ACCESSORIES							
SIZE	A	B	C	D	E	F	G	H	I	J	K	L	M	N	O	SHAFT DIAMETER		
																CL. I	CL. II	CL. III
440	60 1/4	81	63	65 1/4	39 1/4	36	50	BASE FABRICATED TO FIT MOTOR AND DRIVE	78 1/2	2 1/2	2	64 1/2	7	BASE FABRICATED TO FIT MOTOR AND DRIVE	26 1/4	2 1/8	2 1/16	2 1/8
490	66 1/4	88 1/4	69	71 1/4	43 1/4	39	55 1/4		86 1/4	2 1/2	2	72 1/4	7		30 3/4	2 1/8	2 1/8	3 7/16
540	73 1/2	98 1/2	76 1/2	79 1/2	47 1/4	43	61 1/4		95 1/2	3	3	80 1/2	7 1/2		33 1/2	2 1/8	3 1/8	3 13/16
600	81 1/2	108 1/2	84 1/2	87 1/2	52 1/4	47	68		105 1/2	3	3	87 1/2	9		36 1/4	2 1/8	3 1/8	4 1/16
660	89 1/2	119 1/2	92 1/2	95 1/2	58	52	74 1/2		116	3	3	98	9		41 1/2	3 1/8	3 1/16	4 7/16
730	99 1/2	131	102 1/2	105 1/2	64	57	80		128	3	3	110	9		47 1/2	3 1/8	3 1/16	4 7/16

General Air
Products & Systems

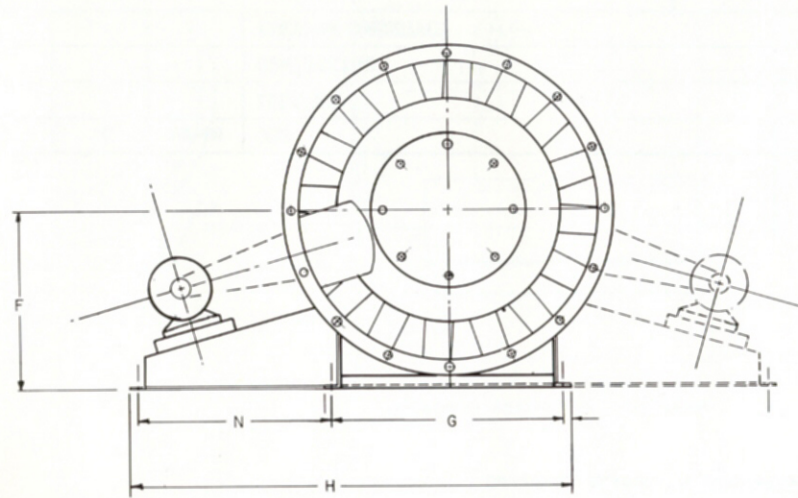
GENERAL DIMENSIONS
TYPE "TBA" CLASSES I, II & III
Arrangement No. I

COMPANION FLANGES
(OPTIONAL ON ALL SIDES)



RIGHT HAND MOTOR

VIEW FROM DISCHARGE



LEFT HAND MOTOR

UNIT SIZE	MOTOR LOC.	MOTOR H.P.	CURRENT	C.F.M.	S.P.	RPM	B.H.P.	O.V.	T.S.	TAG UNIT						
SIZE	A	B	C	D	E	F	G	H	J	K	L	M	N	SHAFT DIAMETER		
														CL. I	CL. II	CL. III
122	16 3/4	25 1/2	18 3/8	19 3/4	12 3/4	11	14 1/4		1 1/2	1	20	2 1/4		1 3/8	1 3/8	—
150	20 1/2	29	21 1/4	23 1/2	14 1/2	13	16 3/4		1 1/2	1 1/8	21	4		1 3/8	1 3/8	—
180	24 3/4	33	26 3/4	28 3/4	16 1/2	16	19 3/4		2	1 1/8	22 3/4	5 1/2		1 3/8	1 7/8	1 7/8
200	27	36 1/4	29	31	18 3/8	18	21 3/4		2	2	24 1/4	6		1 7/8	1 7/8	1 11/8
220	30	40	32	34	20	20	24 1/2		2	2	27	6 1/2		1 7/8	1 7/8	2 3/8
240	33	45	35	37	22 1/2	21	27 3/4		2	2	31 1/4	6 3/8		1 7/8	1 11/8	2 3/8
270	36 3/4	49 1/2	38 3/8	41 3/8	24 3/4	23	29 3/4		2 1/2	2	35 1/4	7 1/4		1 11/8	1 11/8	2 7/16
300	40 1/2	54 1/2	43	45 1/2	27 1/4	25	33 3/4		2 1/2	2 1/2	40	7 1/4		1 11/8	1 11/8	2 7/8
330	44 1/2	60	47	49 1/2	30	27	37		2 1/2	2 1/2	46	7 1/4		1 11/8	2 3/8	2 7/16
360	49 1/2	66 1/2	52	54 1/2	33 3/4	29	41		2 1/2	2 1/2	52	7 1/4		1 11/8	2 7/8	2 11/16
400	54 1/2	73	57	59 1/2	36 3/8	33	45		2 1/2	2 1/2	58	7 1/2		2 3/8	2 3/8	2 11/8

BASE FABRICATED TO FIT MOTOR AND DRIVE SELECTION

BASE FABRICATED TO FIT MOTOR AND DRIVE SELECTION

JOB

LOCATION

CONTRACTOR

ENGINEER/ARCHITECT

ACCESSORIES

General Air
Products & Systems

GENERAL DIMENSIONS
TYPE "TBA" CLASSES I, II & III
Arrangement No. 1
Base Mounted